



Assembly Instructions

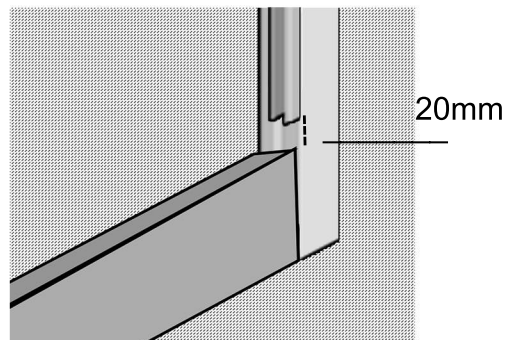
Before you start we recommend you watch the assembly instruction video which is available on www.kilallyfence.ie

[Watch Here](#)

Tools required

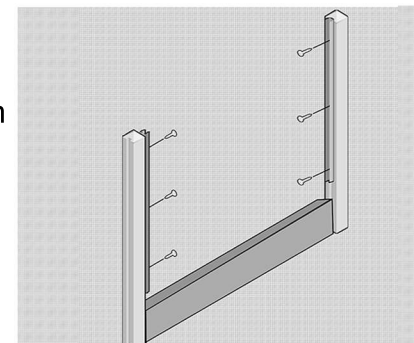
- Drill with a Depth-Stop Attachment
- T30 Torx Bit for Masonry Screws
- Safety Gloves
- Masonry Drill Bit (6mm x 160mm)
- T25 Torx Bit for Metal Screws.
- Safety Glasses

Step 1.



Channel adapters should be fitted 20mm above the gravel board

Step 2.

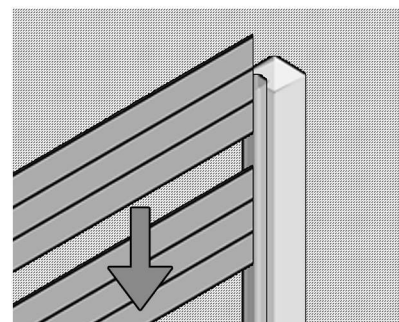


Drill holes top, middle and bottom to secure channel adapter to the concrete post,

Take care not to drill into the opposite drill holes .

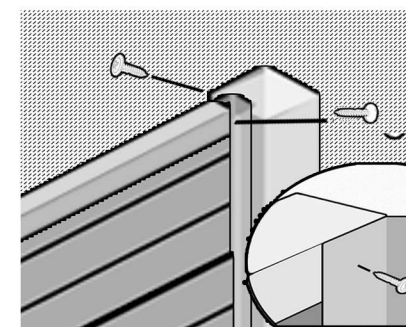
Do not drag panels apart as this will damage the surface

Step 3.



Slide infill panels into place, pointed edge first.

Step 4.

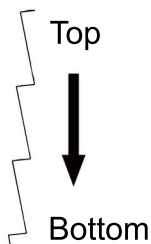


Fit finishing rail with its ends resting inside the channel adapter, press down and screw finishing rail in place front and back

Fence Panels



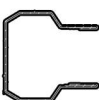
x 5



Channel Adapters



x 2



Finishing Rail



x 1



Metal Screws



x 4



Concrete Screws



x 6

